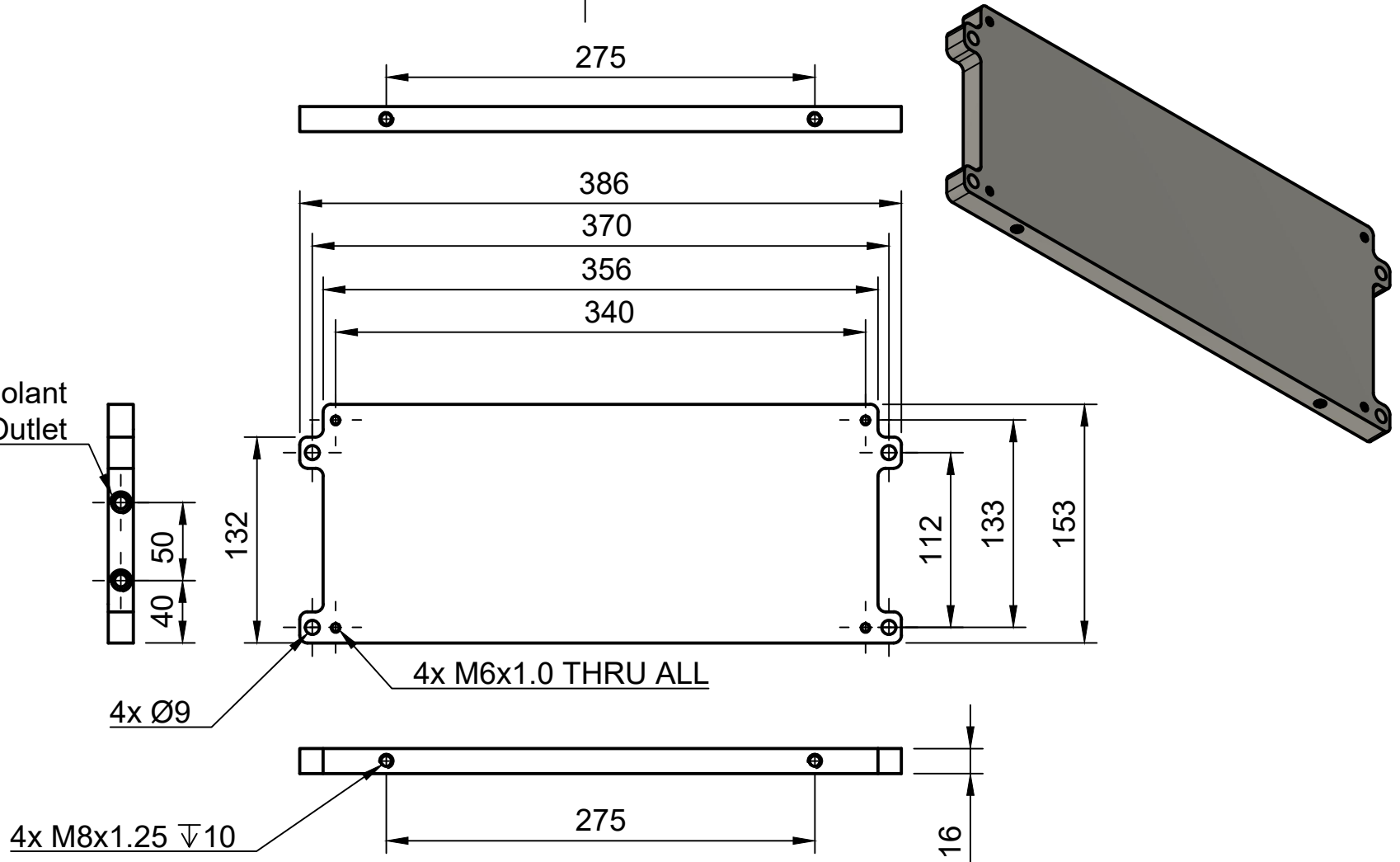


1/4 BSPP Coolant
Inlet-Outlet



Dept.	Technical reference COOLANTPLATE-S	Material:	Created By: Ignacio Irurita 05/05/2021
Scale 1:4		Colour: N/A	Approved By:
Notes: <ul style="list-style-type: none"> All units in mm All dimensions are subject to ± 1mm variance 		Finish:	Title: Battery Module Coolant Plate – Single
			Project: Zero EV
			Rev. 1
			Date of issue 5/05/2021
			Sheet 1/1

