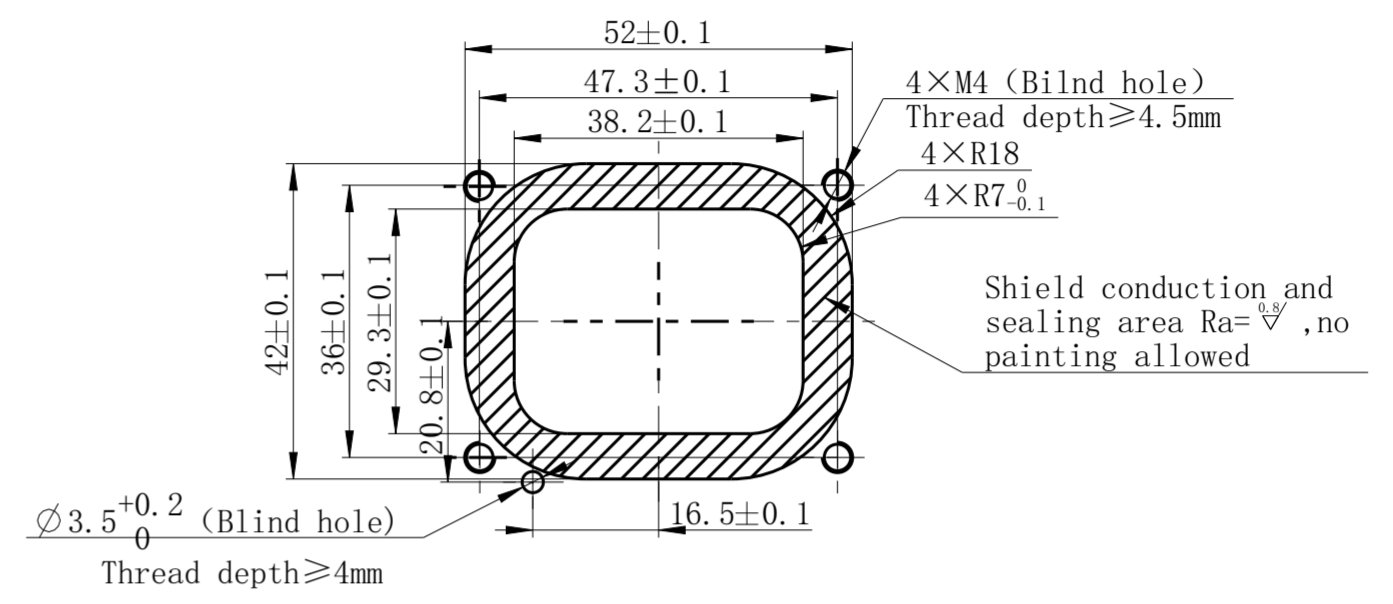
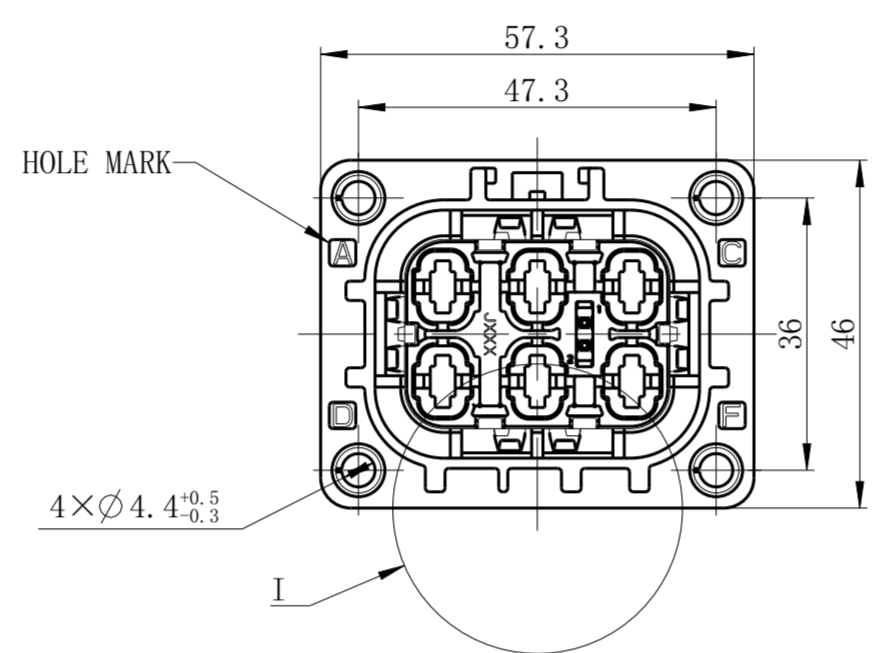
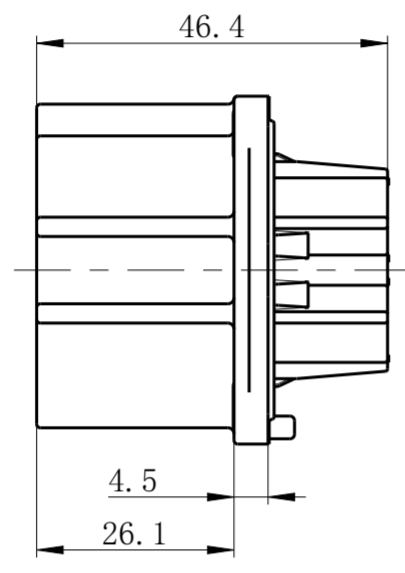


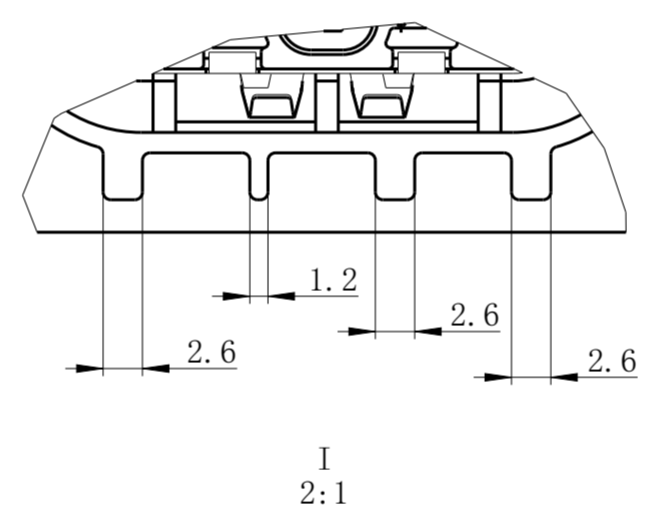
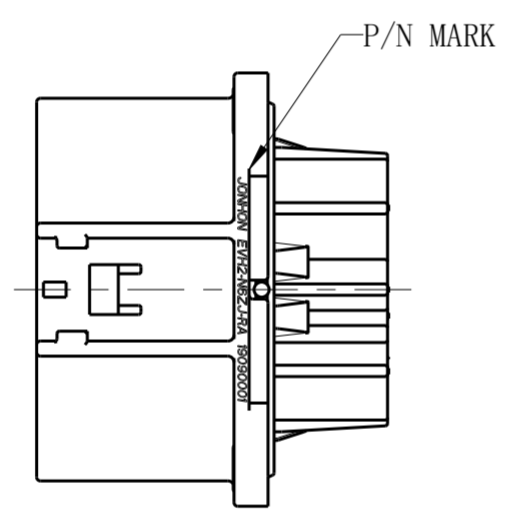
REV.	ZONE	DESCRIPTION

Confidential This document is property of JONHON. Use or Copy of this document without proper permission from the appropriate technical-document managing department is prohibited.

UNITS	mm
STANDARD TOLERANCES	±0.5
SURFACE ROUGHNESS	√
CERTIFICATION	RoHS



Recommended panel dimension
 2mm≤Thickness
 Roughness √, Flatness 0.1
 SCREW: M4 RECOMMENDED TORQUE: 2.7±0.3N·m



SPECIFICATION	
RATED CURRENT	20Amps MAX. /5Amps
OPERATING VOLTAGE	1000V
TEST VOLTAGE	2500V AC
INSULATION RESISTANCE	≥200MΩ
OPERATING TEMPERATURE	-40℃~+125℃
NUMBER OF CONTACTS	6&2
HVIL	YES
SHIELDING	YES
PROTECTION GRADE	IP67 (MATED)、IPXXB
SALT SPRAY	480h (MATED)
MATING LIFE	100 CYCLES
FLAMMABILITY	UL94 V0
ADAPTER MODEL	EVH2-N6TK-XXX

Note:
 1.The housing is made of orange plastic and there may be slight chromatic aberration;
 2.The terminal need order separately, details see the below table;

Terminal Type	Order Mode	Terminal P/N	Note
Power terminal	Bulk	21E8-556-2127-A1	As needed
	Whole plate	21E6-570-8639-B1	1500 pcs/plate
Signal terminal	Bulk	21E8-556-1758-A1	As needed
	Whole plate	21E6-571-13573-B1	10000 pcs/plate

PRODUCT NUMBER	WIRE RANGE	CABLE DIAMETER	TERMINAL TYPE
EVH2-N6ZJ-RA	2.5mm2 Unshielded Cable	Φ3.3~Φ4.4mm	Power terminal
	0.5mm2 Unshielded Cable	Φ1.4~Φ1.7mm	Signal terminal

DESIGNED BY	TITLE	SIZE
	ELECTRICLE RECEPTACLE CONNECTOR WITH HVIL & SHIELDING	A2
CHECKED BY	PRODUCT NUMBER	SCALE
	EVH2-N6ZJ-RA	1:1
APPROVED BY	DRAWING NUMBER	PAGE
		1/1
		VER.
		01
		STAGE
AVIC JONHON OPTRONIC TECHNOLOGY CO., LTD		