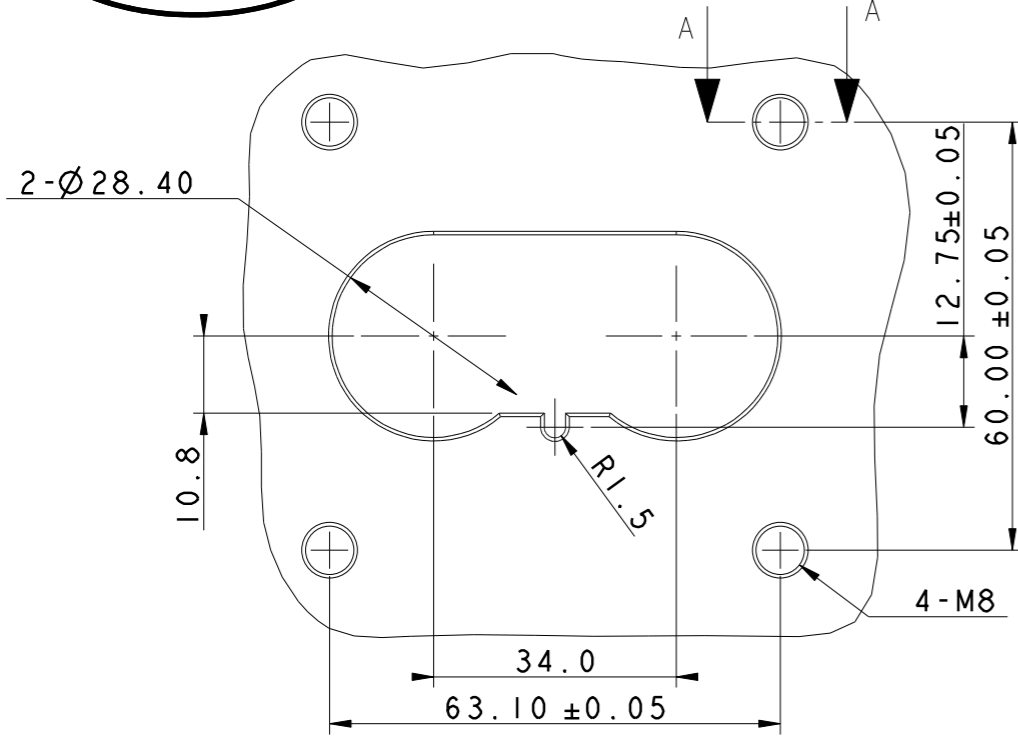
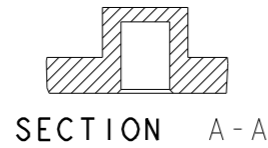


REV	ECN	DESCRIPTION	DATE	MODIFIED
1		PRE-RELEASE	May-03-17	Tom Dai
2		Add KEY DRAWING	Sep-05-17	Tom Dai

Amphenol PCDSZ
ORIGINAL
PDF Format
R&D

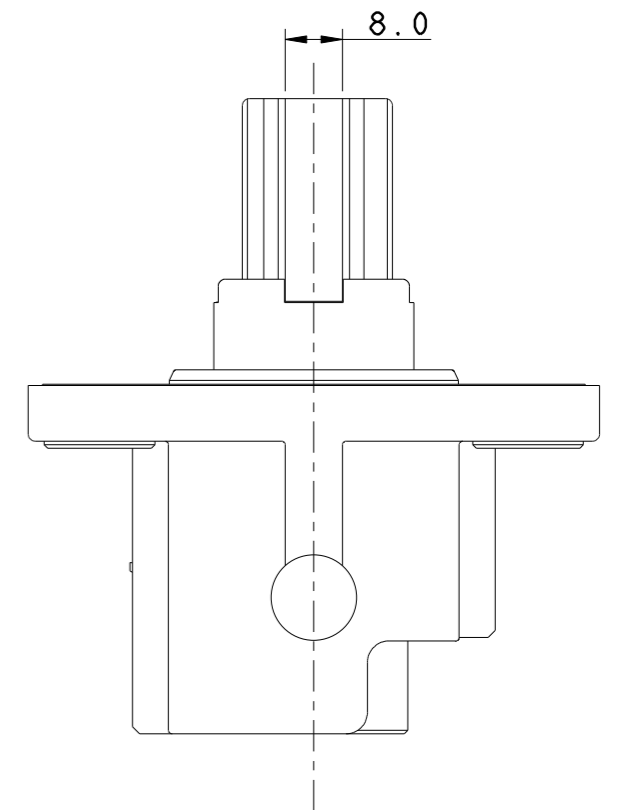
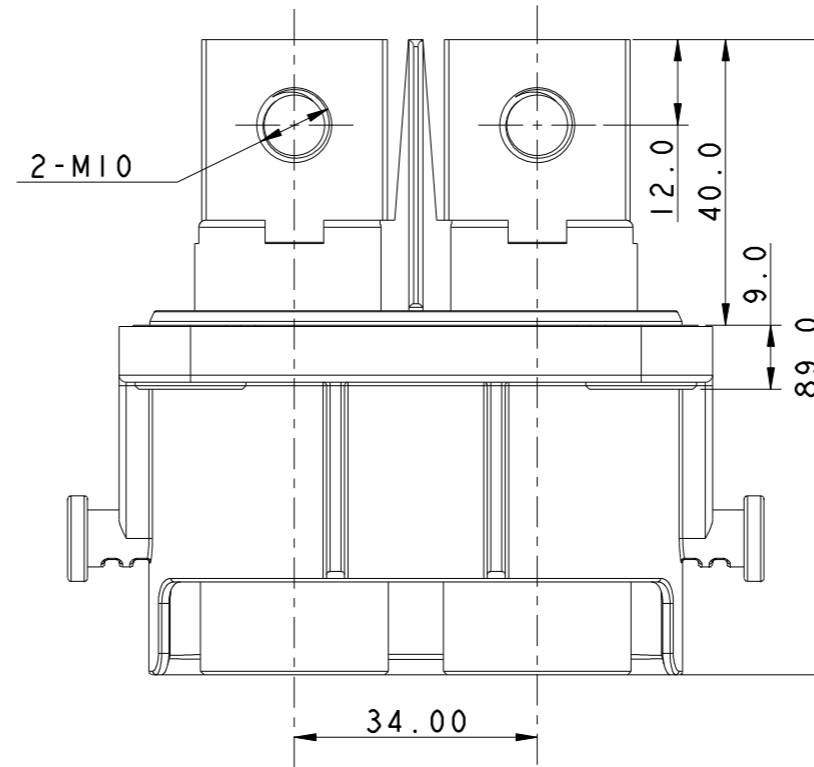
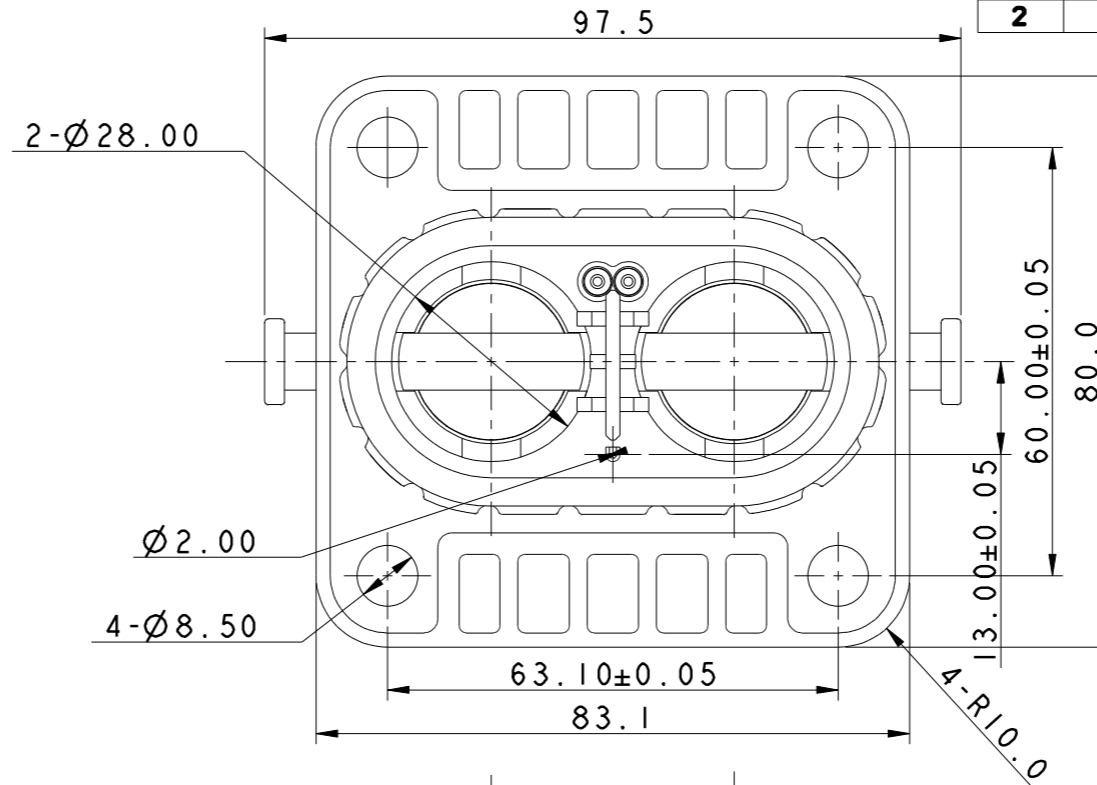


FIX PLATE VIEW

HVSL1200 02 2 X 1 H10

A	A Key
B	B Key
C	C Key

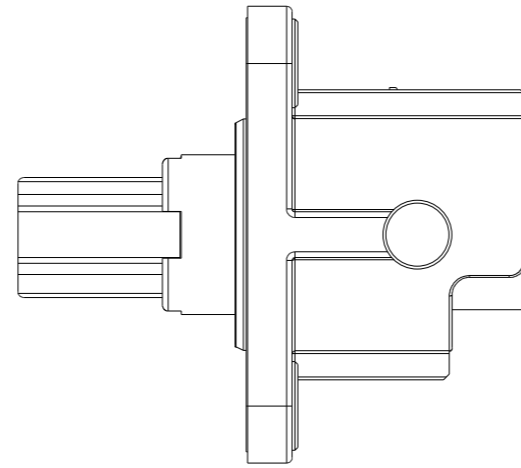
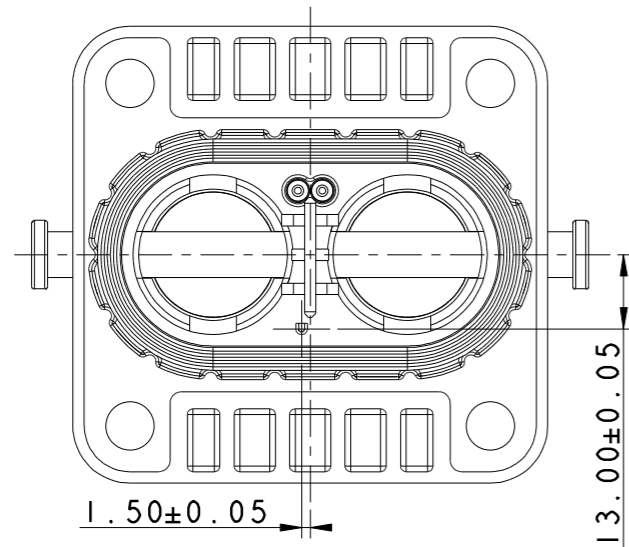
TECHNICAL DATA	
CURRENT RATE 95MM ² WIRE	350A
CURRENT RATE 70MM ² WIRE	250A
VOLTAGE RATE	1000V DC
OPERRATING TEMPERATURE	-40-125°C
DIELECTRIC WITHSTANDING VOLTAGE	3000V AC
INSULATION RESISTANCE	2000MΩ
DURABILITY	50 CYCLES
SHIELDING	YES
WATERPRROF	IP67 IP6K9K
CORROSION-PROFF GRADE(SALT FOG TEST)	96 HOURS
AMBIENT TEMPERATURE	-40-70°C
95mm ² CABLE SIZE(JACKET DIAMETER)	Ø21.3±0.6
70mm ² CABLE SIZE(JACKET DIAMETER)	Ø18.7±0.5



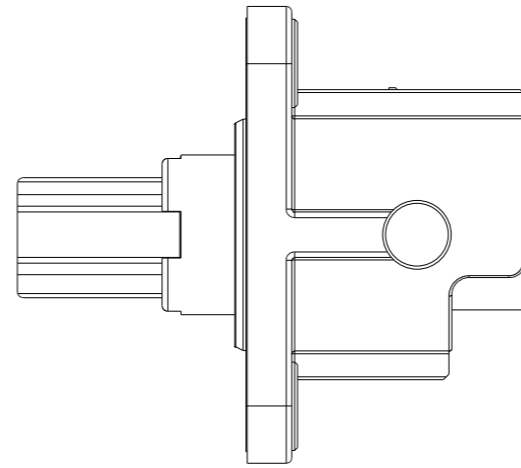
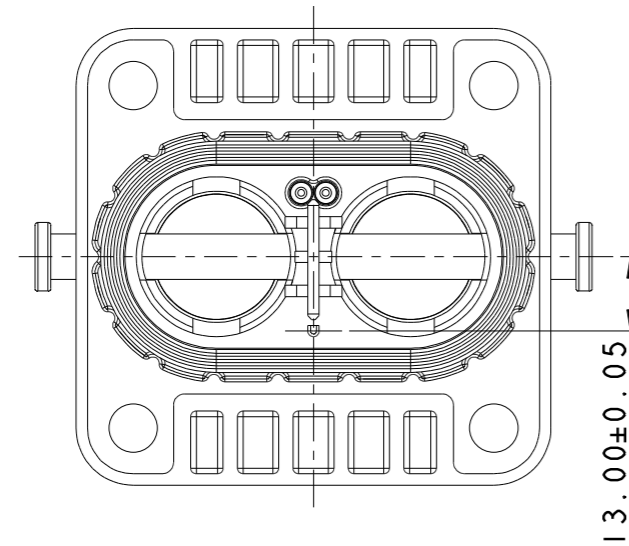
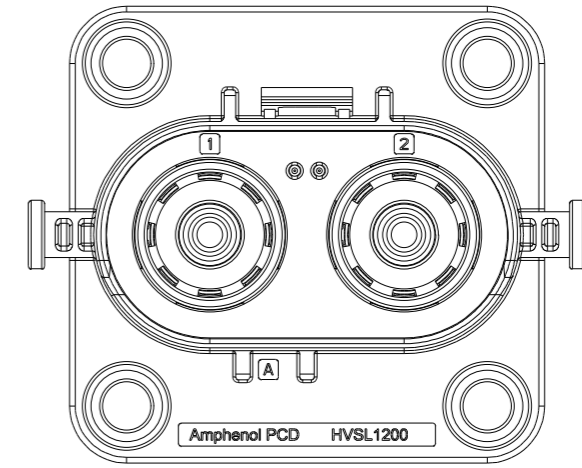
DIMENSIONS	TOLERANCES	PROJECTION	TITLE			
ANSI Y14.5M UNITS: MM Pro/E FILE	.X ±0.5 .XX ±0.30 ANGLES ±2°		Amphenol Pcd Shenzhen			
ORIGINAL	THIS DOCUMENT CONTAINS PROPRIETARY INFORMATION WHICH IS THE CONFIDENTIAL PROPERTY OF AMPHENOL PCD SHENZHEN		ENGR Tom.Dai May-03-17			
			CHKD	SIZE A3	DWG NO. C-HVSL1200022X1H10	REV 2
			APPD	CODE: 58982	SCALE: 1:1	SHEET 1 OF 3

C-HVSL1200022X1H10

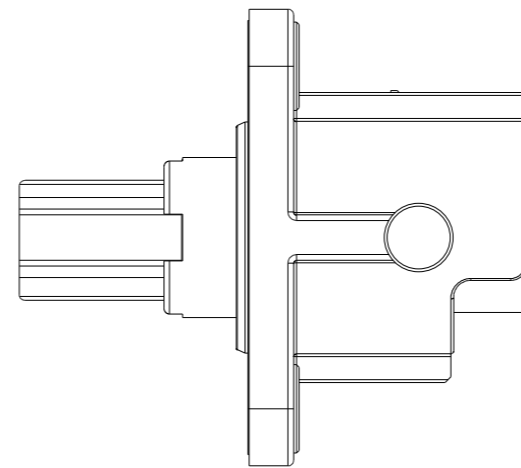
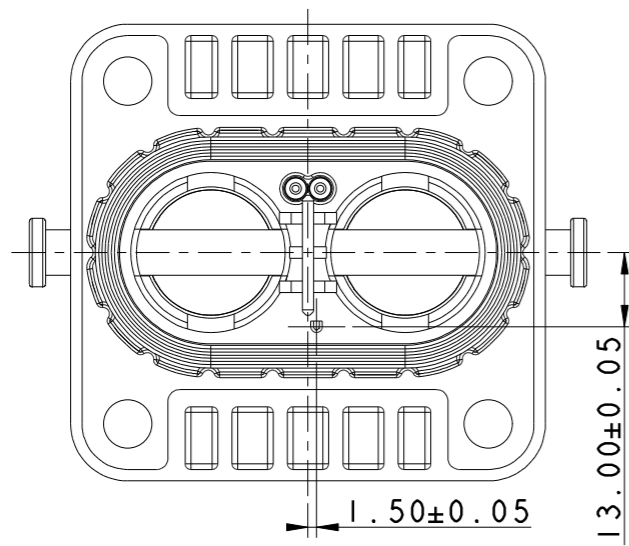
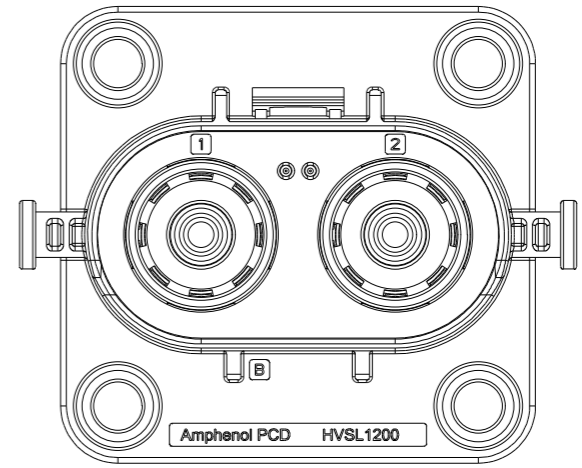
C-HVSL1200022X1H10



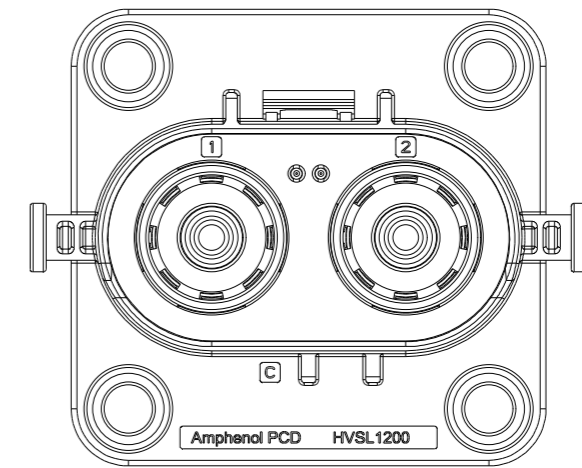
HVSL1200022A1H10



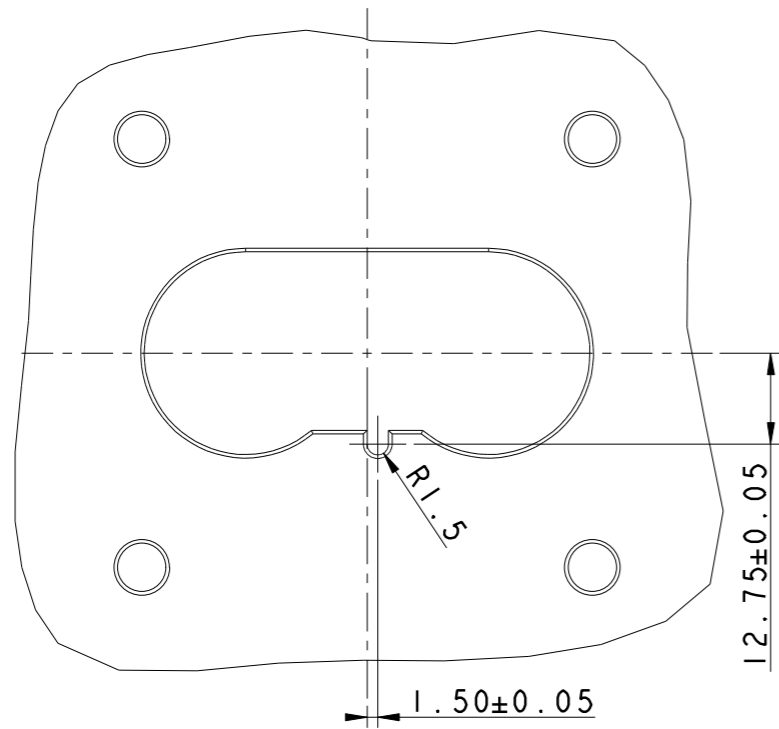
HVSL1200022B1H10



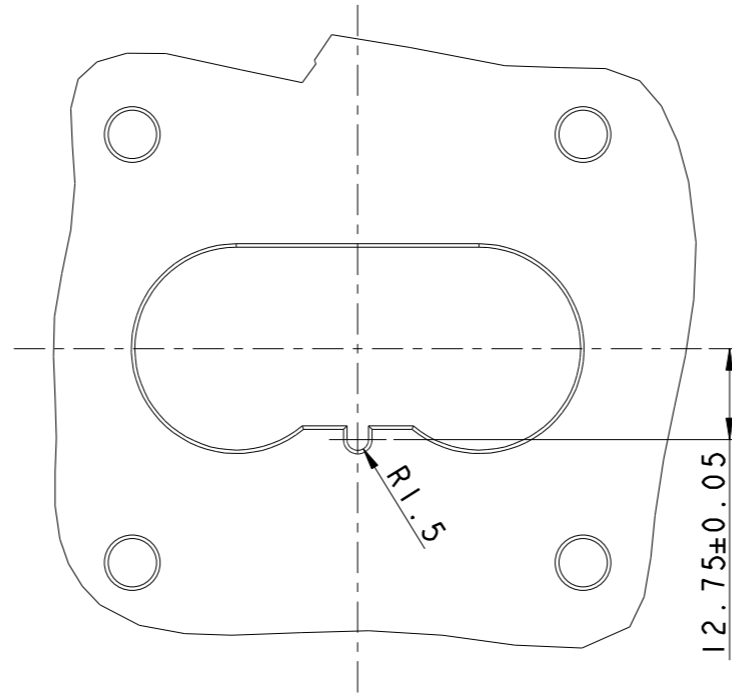
HVSL1200022C1H10



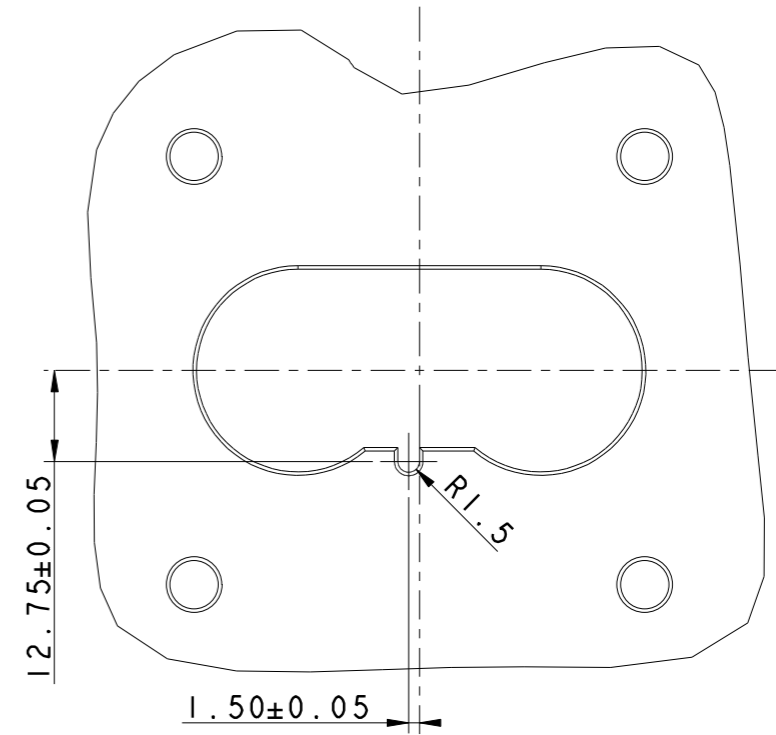
SIZE	DWG NO.	REV
A3	C-HVSL1200022X1H10	2
CODE: 58982	SCALE: 1:1	SHEET 2 OF 3



FIX PLATE FOR A KEY



FIX PLATE FOR B KEY



FIX PLATE FOR C KEY

SIZE	DWG NO.	REV
A3	C-HVSL1200022XH10	2
CODE: 58982	SCALE: 1:1	SHEET 3 OF 3