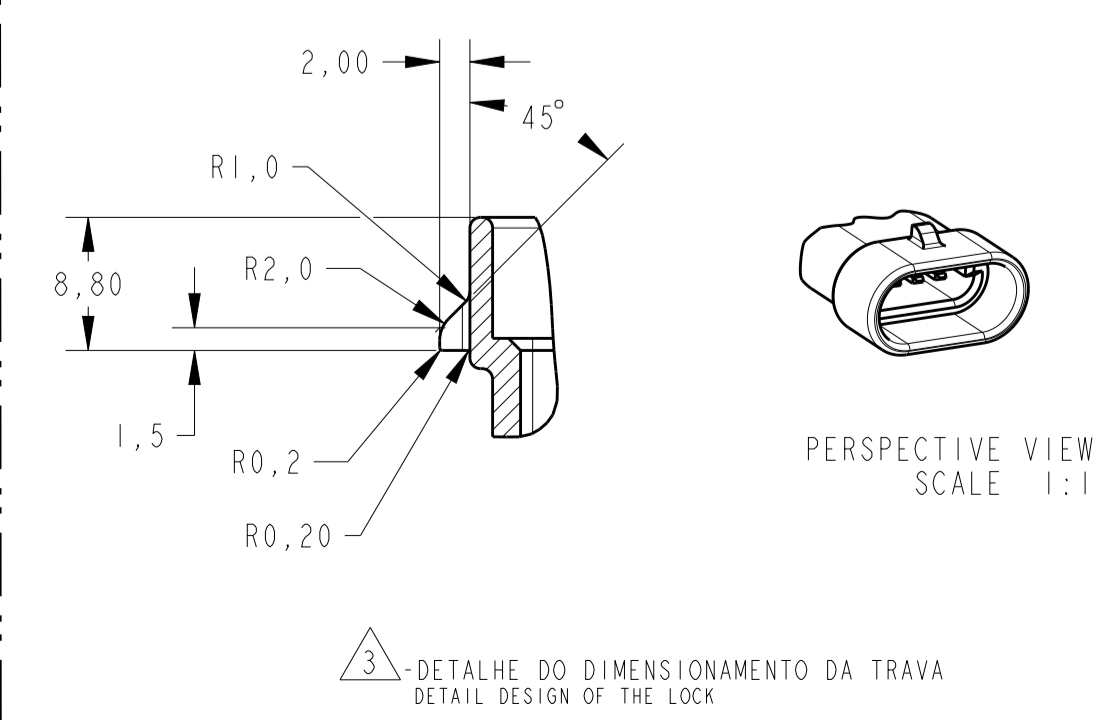
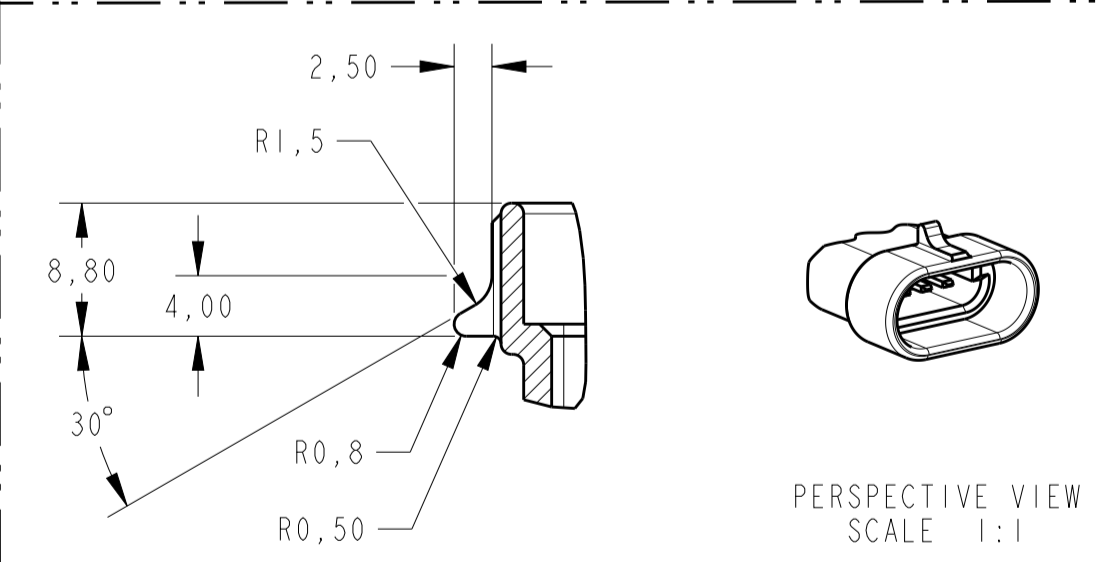
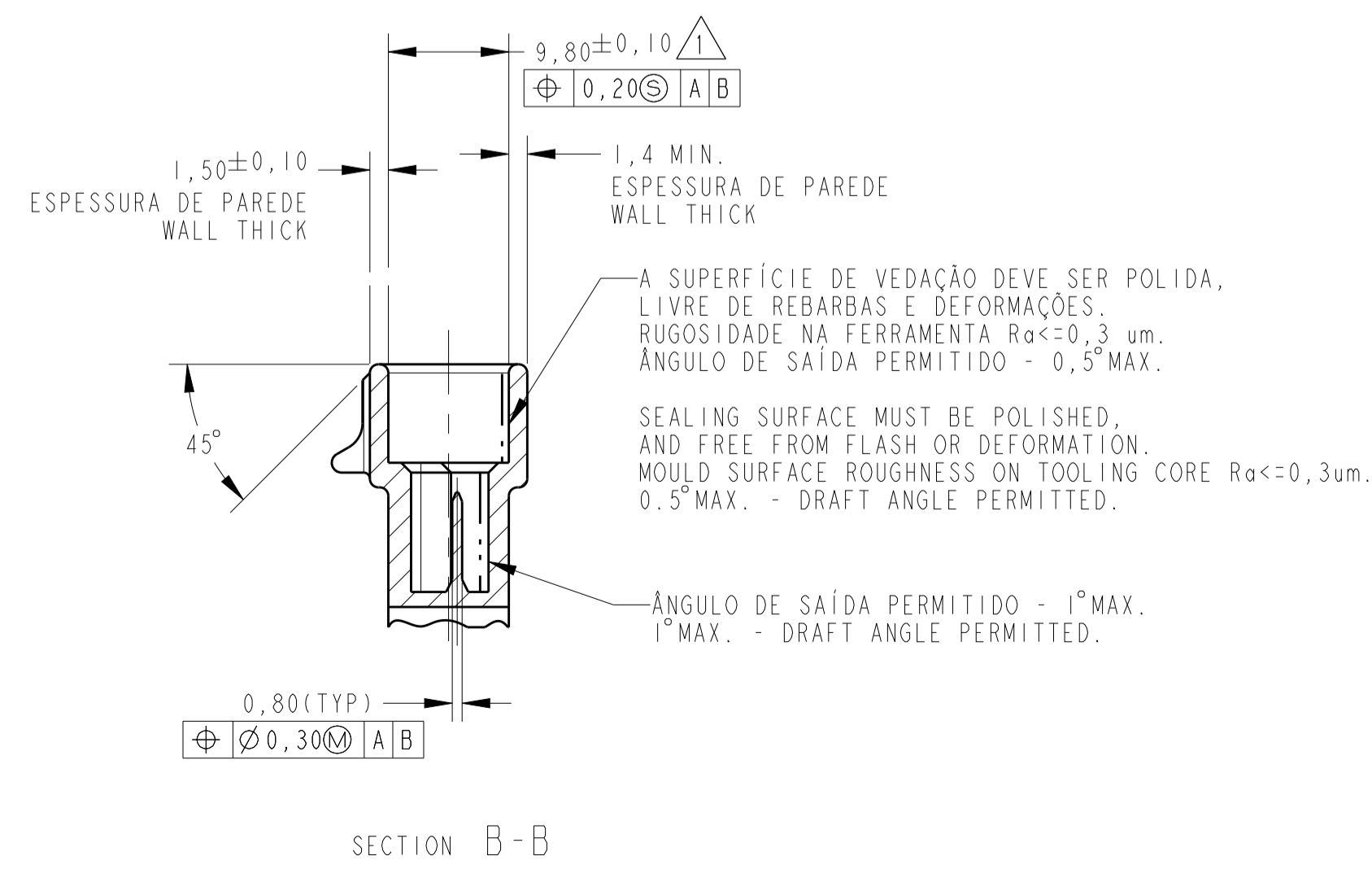
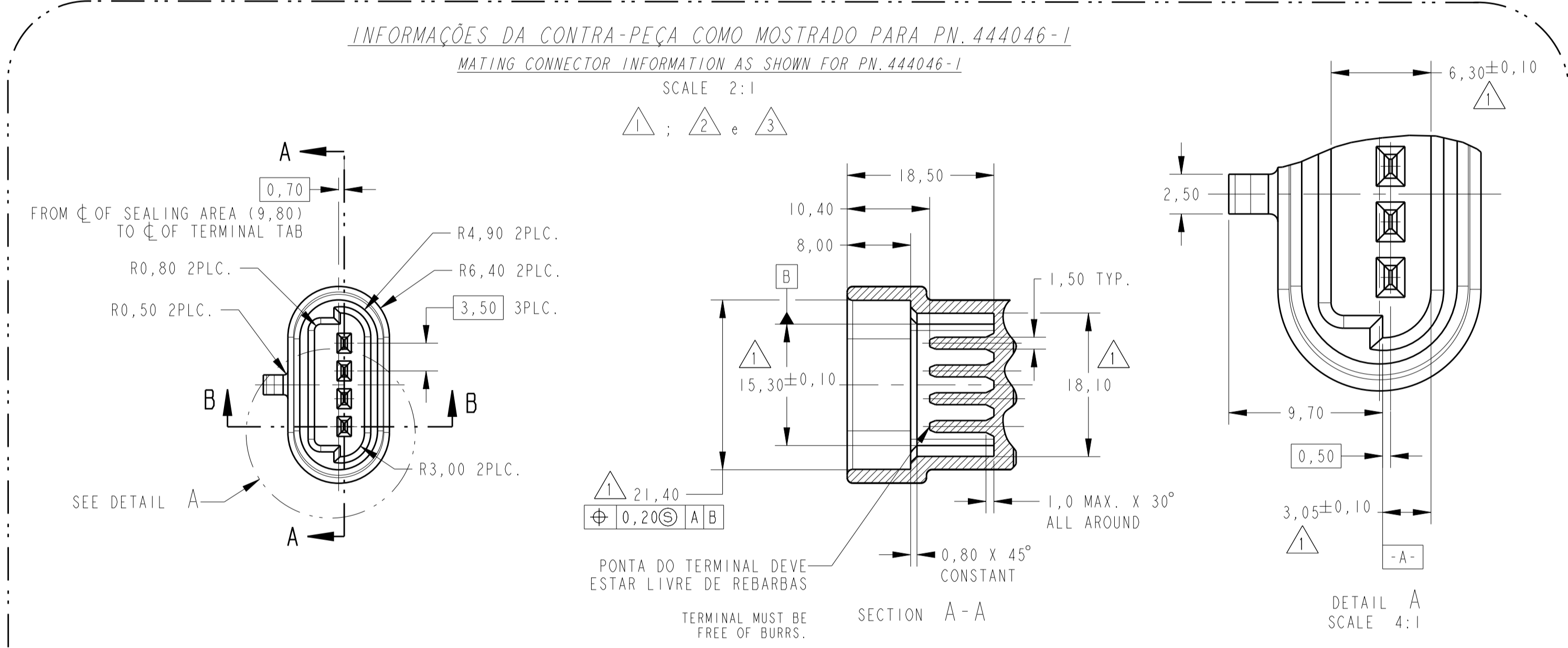
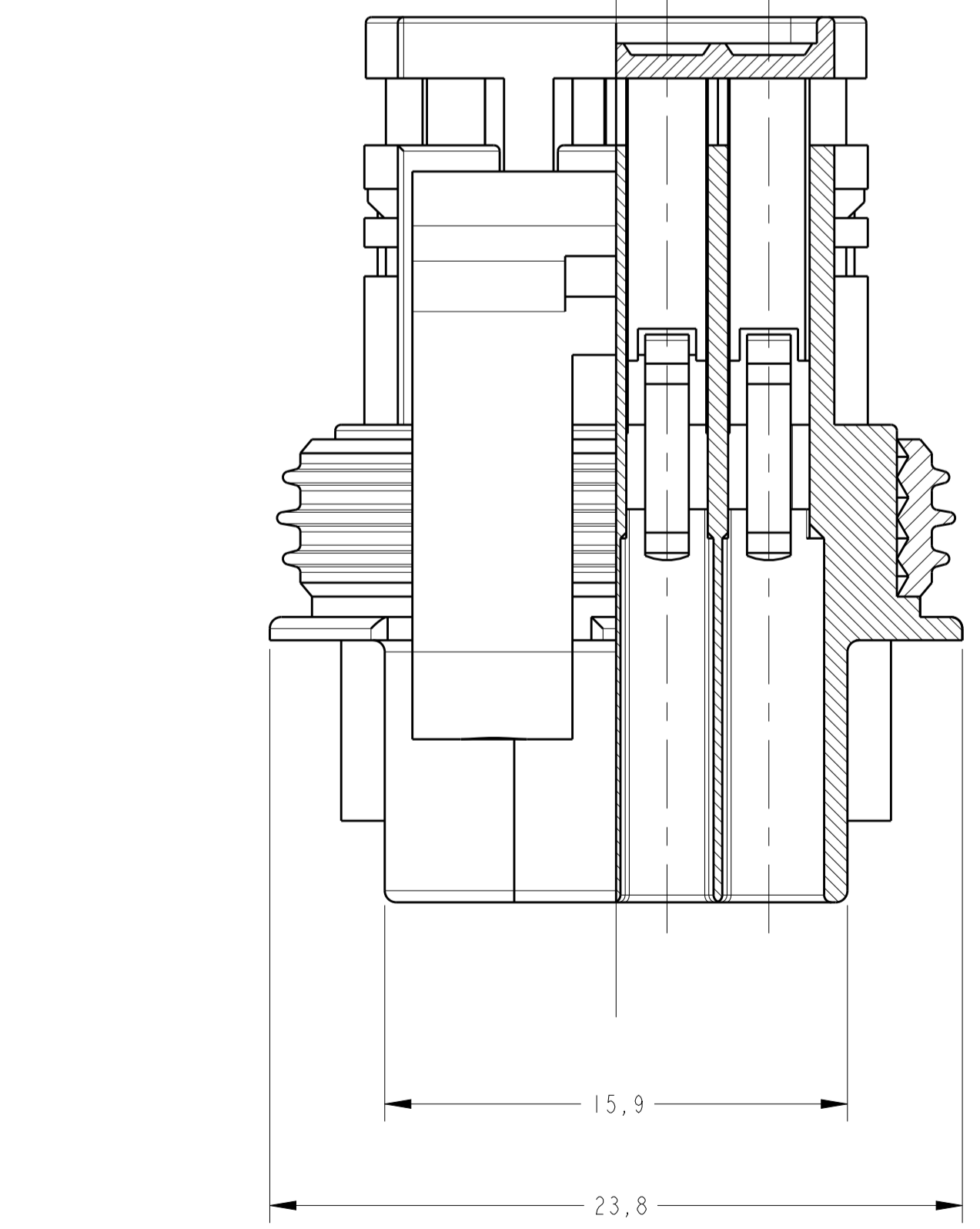
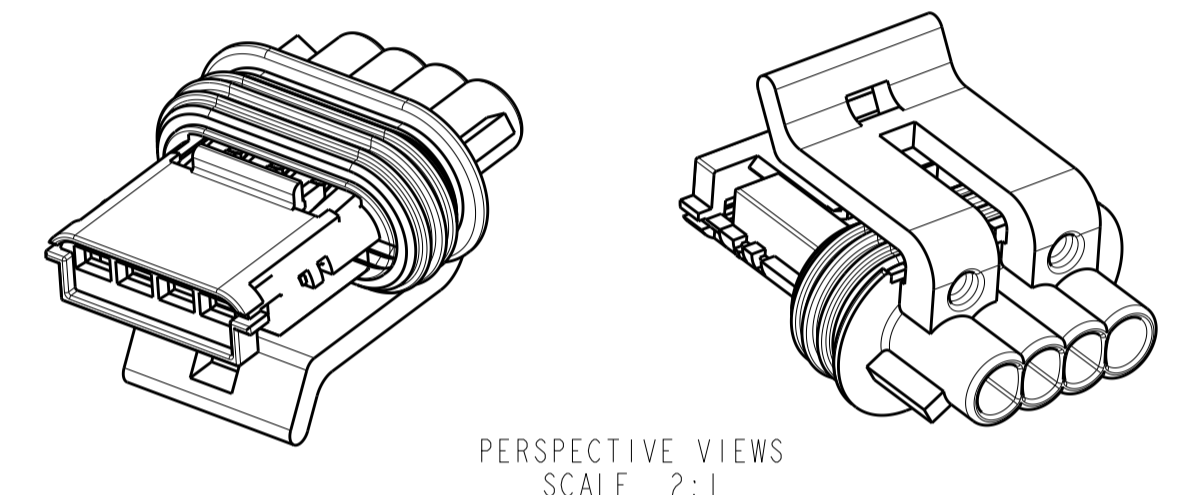
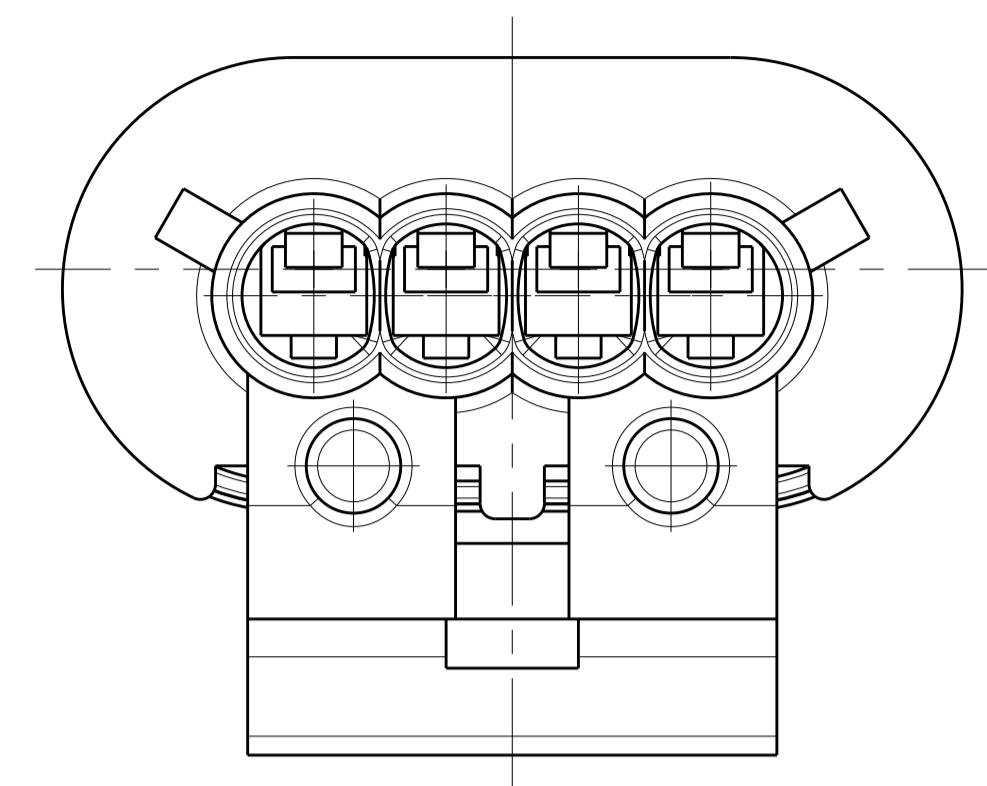
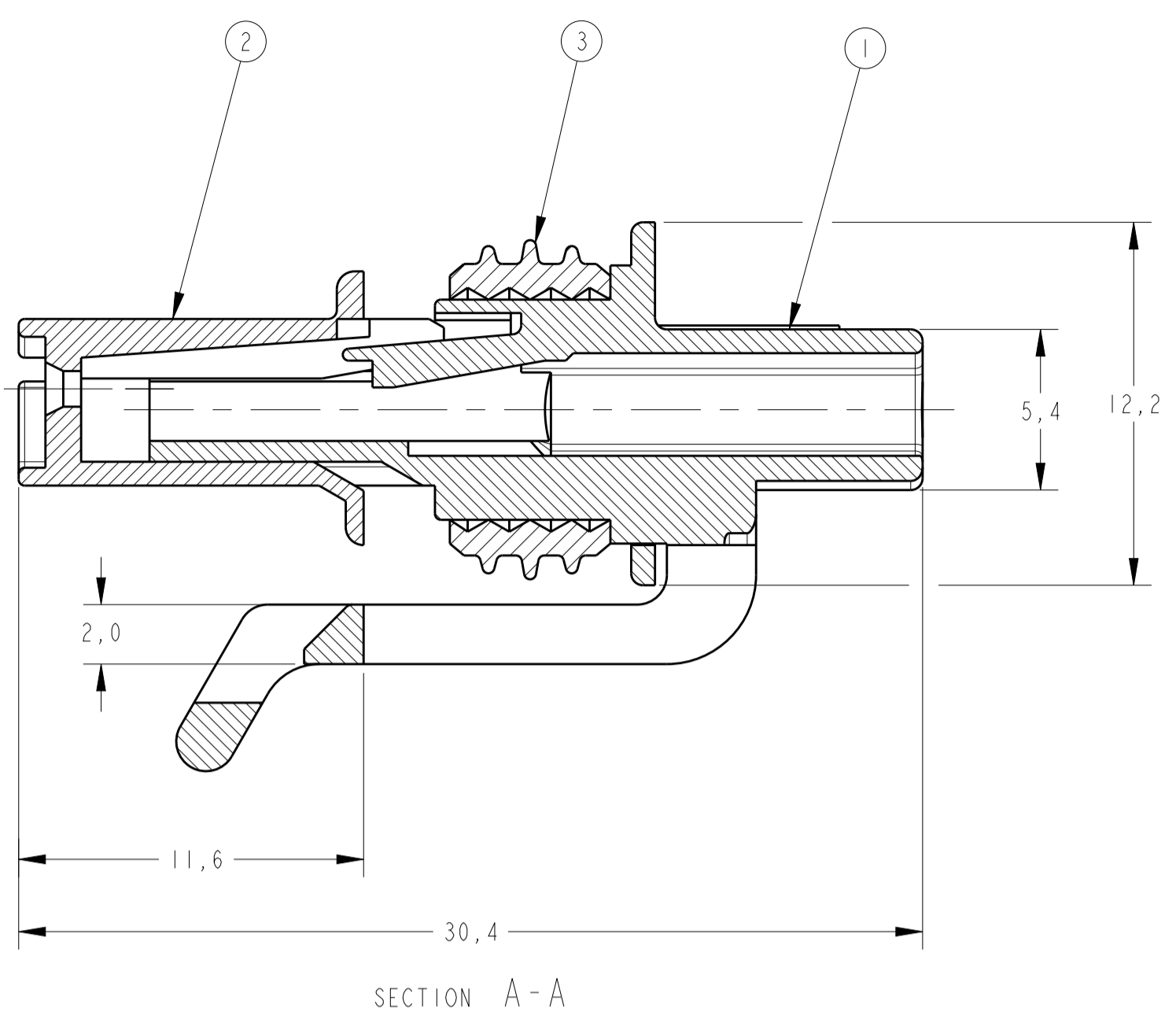
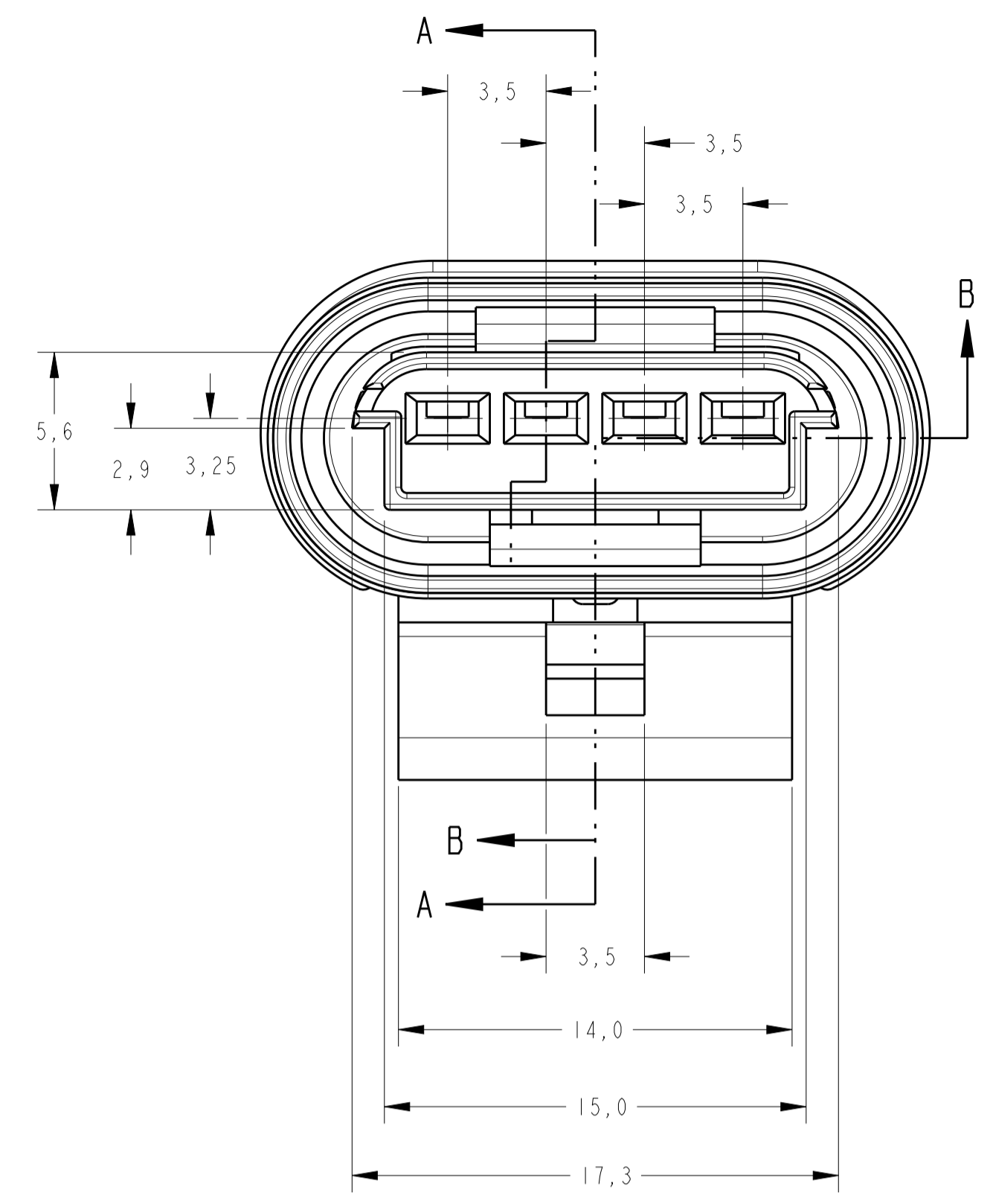




REVISIONS					
P.	LTN.	DESCRIPTION	DATE	DMN.	APVD.
R4		REVISED DESIGN ECO-12-011787	27JUN2012	NCL	MCM
R5		ADDED PRODUCT SPEC. ECO-15-001585	12FEB2015	NCL	MLO



- 1 - DIMENSIONADO NO TOPO DO ELEMENTO. DIMENSIONING AT THE TOP OF ELEMENT.
- 2 - INFORMAÇÕES DA CONTRA PEÇA PARA PN. 444046-1; 444046-2; 444046-3 MATING CONNECTOR INFORMATION FOR PN. 444046-1; 444046-2; 444046-3
- 3 - INFORMAÇÕES DA CONTRA PEÇA PN. 444046-4 MATING CONNECTOR INFORMATION FOR PN. 444046-4

GRAVAÇÃO MARKING

LOGOTIPO TYCO
TYCO LOGO
CÓDIGO DO PAÍS PRODUTOR MANUFACTURER COUNTRY CODE
NÚMERO DA PEÇA DE CONNECTIVITY TE CONNECTIVITY PART NUMBER
NÚMERO DA CAVIDADE CAVITY NUMBER
IDENTIFICAÇÃO DO CIRCUITO CIRCUIT IDENTIFICATION

REQ. PER ASSY	ITEM	DESCRIPTION	MATERIAL	FINISH
-	3	CONNECTOR SEAL, 4 POSN.	SILICONE	VERDE / GREEN
-	1	SPACER 4 POSN., MULTI-LOCK RECEP.	PA 6.6	VIOLETA / VIOLET
-	1	CONNECTOR SEAL, 4 POSN.	SILICONE	LARANJA / ORANGE
-	1	SPACER 4 POSN., MULTI-LOCK RECEP.	PA 6.6 10%GF	AMARELO / YELLOW
-	1	SPACER 4 POSN., MULTI-LOCK RECEP.	PA 6.6	AMARELO / YELLOW
-	1	HOUSING 4 POSN., MULTI-LOCK RECEP.	PA 6.6	PRETO / BLACK

THIS DRAWING IS A CONTROLLED DOCUMENT.

DIMENSIONS: mm	TOLERANCES UNLESS OTHERWISE SPECIFIED:	DMN. A. PERUSSI 27JUN2001	CHK. P. L. FARIA 28JUN2001	APVD. J. M. M. NETO 28JUN2001
0 PLC ±	1 PLC ±0.3	NAME HOUSING ASS'Y, 4 POSN. MULTI-LOCK RECEP.		
2 PLC ±0.15	3 PLC ±	SIZE CAGE CODE DRAWING NO. RESTRICTED TO		
4 PLC ±	ANGLES ±	A1 00779 C=444046		
MATERIAL SEE TABLE	FINISH SEE TABLE	CUSTOMER DRAWING SCALE 5:1 SHEET 1 OF 1 REV R5		

Mouser Electronics

Authorized Distributor

Click to View Pricing, Inventory, Delivery & Lifecycle Information:

[TE Connectivity:](#)

[444046-1](#)